



## Impact Indicator Label Mounting Instruction

### Product Overview

Impact Indicator Label is the impact damage detection device which with 5 sensitivity models: 100G - Green ; 75G - Orange ; 50G - Red ; 37G - Purple ; 25G - Yellow



### Selection Tips

There are two things you need to know to begin selecting an impact indicator sensitivity: Shipment size and weight.

The selection guide should always be used as a starting point only. The label that will be best suited to your application will also take into account product fragility and packaging.

	0 - 0.03m <sup>3</sup>	0.03 - 0.14m <sup>3</sup>	0.14 - 0.42m <sup>3</sup>	0.42 - 1.42m <sup>3</sup>	+1.42m <sup>3</sup>
0 - 5kg	100G	100G	75G	75G	50G
5 - 11kg	100G	75G	75G	50G	50G
11 - 23kg	75G	75G	50G	50G	37G
23 - 45kg	75G	50G	50G	37G	37G
45 - 113kg	50G	50G	37G	37G	25G
113 - 454kg	50G	50G	37G	25G	25G
+454kg	-	37G	25G	25G	25G

### Mounting Instructions

LABEL MODEL	PLACEMENT	EXCEPTIONS
GREEN-100G	Upper right corner near packing slip	N/A
ORANGE-75G	Upper right corner near packing slip	N/A
RED-50G	50-100lbs: Upper right corner of shipment 100-500lbs: right 24" from floor	N/A
PURPLE-37G	50-100lbs: Upper right corner 100-500lbs: Right edge of shipment 12-24" from floor	On large items where length is twice the width, use 2 labels on opposite sides of shipment, diagonally from one another
YELLOW-25G	Right edge of shipment 12-14" from floor	

## Rules of Thumb

1. Place labels on the right edge of the shipment.
2. Avoid the center of the package because the mounting location should be structurally sound.
3. Place labels on the longest side of the package
4. The heavier the shipment, the lower you should mount the label.
5. Place the Alert Sticker on the bill of lading as a reminder for receivers to check the indicator immediately upon arrival.

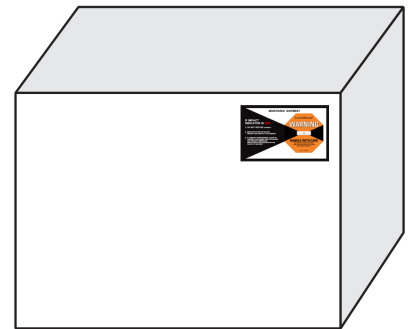
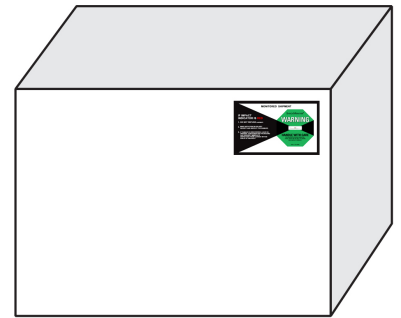
## Recommended Placement

---

L-30 GREEN - 100G at 50ms (milliseconds) and  
L-35 ORANGE - 75G at 50ms

PLACEMENT OF LABELS:

Placement is in upper right corner of the package.



---

L-47 RED - 50G at 50ms (milliseconds)

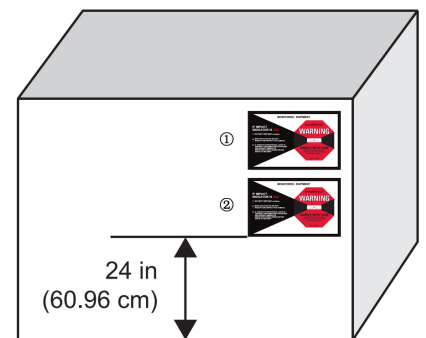
PLACEMENT OF LABELS:

For Packages 50-100lbs (22.68-45.36kg)

Placement is in upper right corner of the package.

For Packages 100-500lbs (45.36-226.8kg)

Placement is along the right edge, at least 24 inches  
(60.96cm) from the bottom of the package.



## L-55 PURPLE - 37G at 50ms(millisecond)

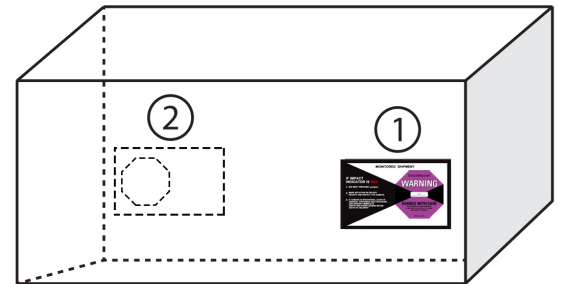
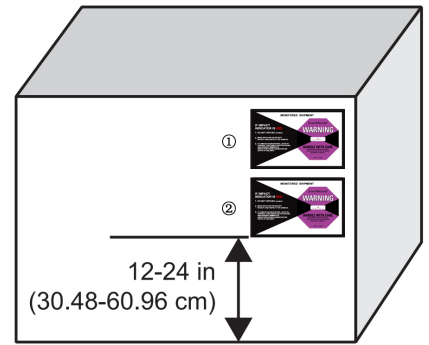
### PLACEMENT OF LABELS:

1. For Packages 50-100lbs (22.68-45.36kg)  
Placement is in upper right corner of the package.

For Packages 100-500lbs (45.36-226.8kg)  
Placement is along the right edge, 12-24 inches (30.48-60.96cm) from the bottom of package.

2. If the package is twice as long as it is wide, or palletized shipments, use two indicator labels.

Place a second indicator in the same position on the opposite side of the package.



## L-65 YELLOW - 25G at 50ms (millisecond)

### PLACEMENT OF LABELS:

1. Place the indicator label 12-14 inches (30.48-35.56cm) from the bottom of the package.

Optional: Place a second indicator in the same position on the opposite end of the package.

2. If the package is twice as long as it is wide, or palletized shipments, use two indicator labels.

Place a second indicator in the same position on the opposite side of the package.

